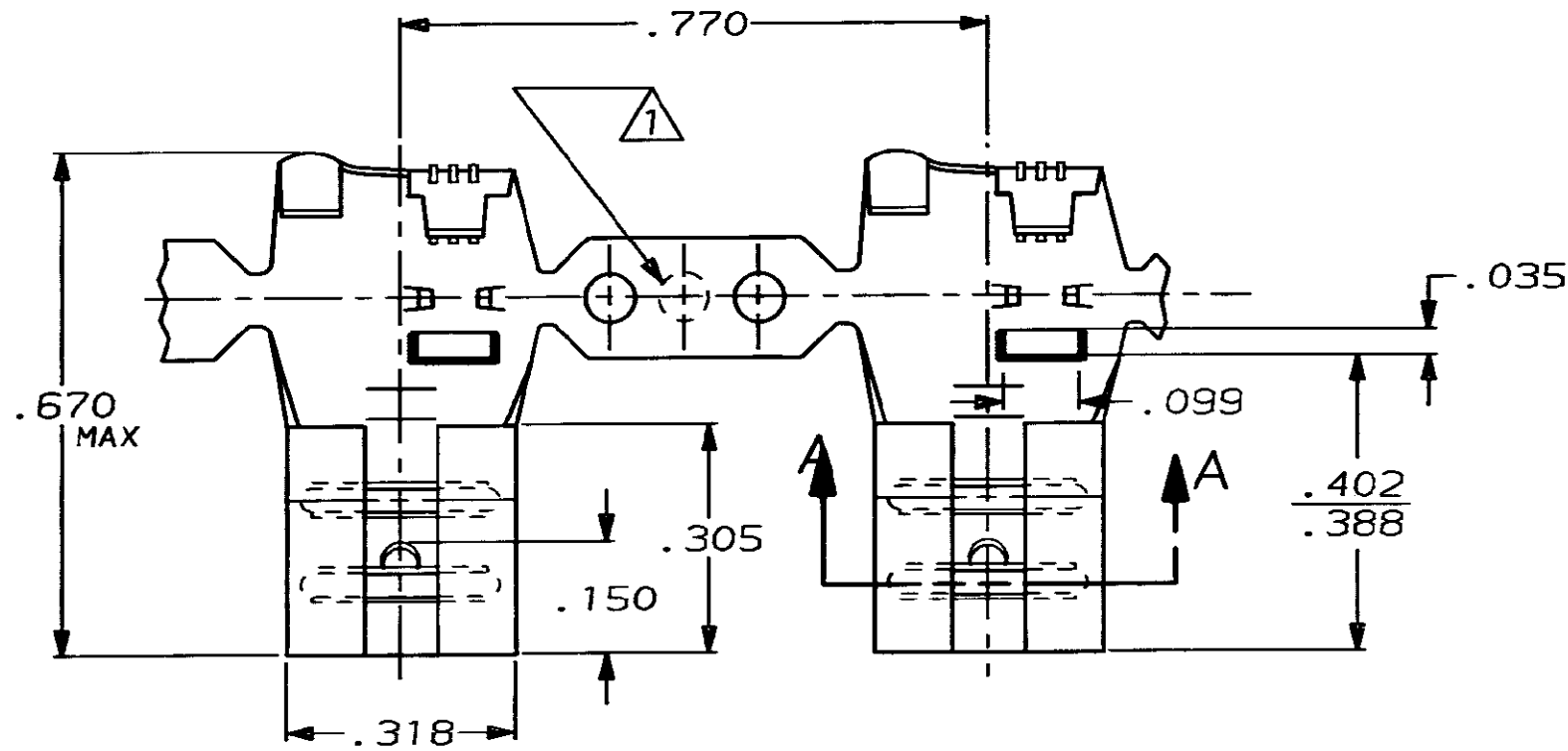


THIS DRAWING IS UNPUBLISHED. RELEASED FOR PUBLICATION ,19 .

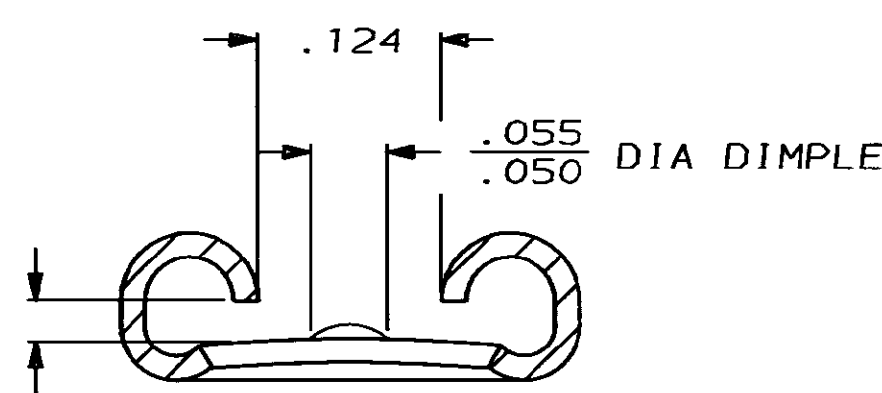
© COPYRIGHT 19

BY AMP INCORPORATED. ALL INTERNATIONAL RIGHTS RESERVED.

LOC	DIST	P	F	REVISIONS				
				ZONE	LTR	DESCRIPTION	DATE	APPD
AF	50				U	REVISED AF-6298	10/19/89	JR/CM

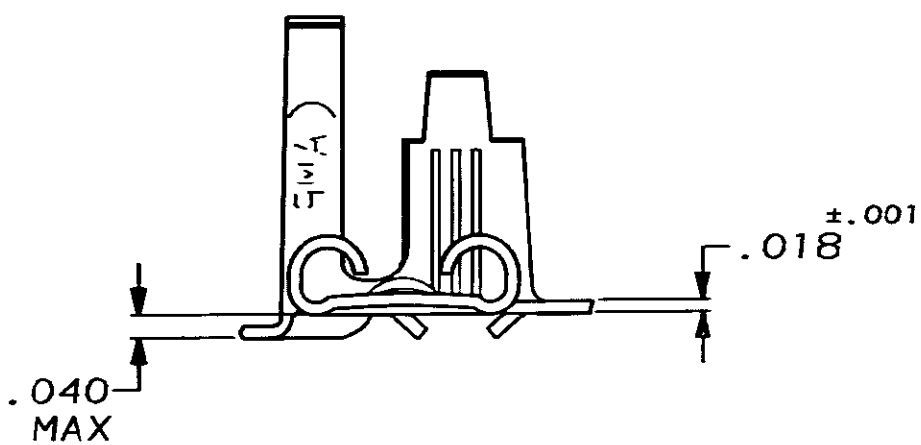


1 SINGLE OR DOUBLE PILOT HOLE
OPTIONAL



FITS .250 SERIES
FASTON TAB

SECTION A-A
SCALE 8:1



.110-.210	18-12	.032	41801
INSULATION RANGE	WIRE SIZE	MATING TAB THK ±.001	PART NO
DO NOT SCALE PRINT. UNLESS SPECIFIED DIMENSIONS IN INCHES TOLERANCES ON: 2 PLC DEC ± - 3 PLC DEC ± .015 ANGLES ± -	DR 7/12/89 JR RUTH	AMP INCORPORATED Harrisburg, Pa. 17105	
	CHK 7/12/89 MS FEHER		
	APPD 7/12/89 C MEYERS	NAME RECEPTACLE, FASTON, FLAG, .250 SERIES	
	MATERIAL TEMP 4M BRASS	APPD 7/12/89 R KUZO	SIZE B
FINISH -	PRODUCT SPEC -	DRAWING NO 41801	SCALE 4:1
	APPLICATION SPEC -	WEIGHT -	SHEET 1 OF 1